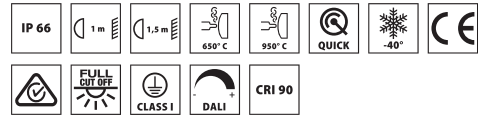


LASER+

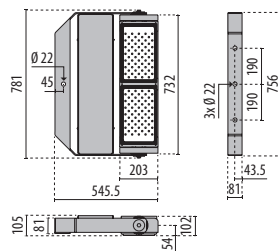
design by GIORGIO LODI



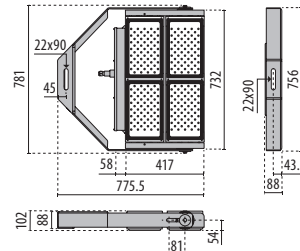
● GR-94 / Metallic grey / Textured

High-power LED floodlight for indoor and outdoor lighting, comprising:

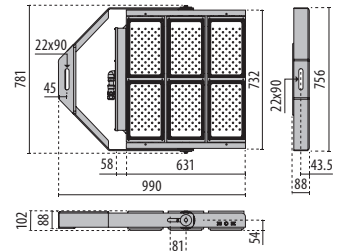
- Die-cast aluminium bearing structure chemically pretreated and painted with polyester powder coating ISO 9227
- Diffuser with integrated louvre in UV, heat stabilised, transparent technopolymer
- High-transparency polycarbonate lenses grant an optimized light transmission
- High resiliency anti-ageing silicone gasket with high elastic return capacity
- High-efficiency die-cast aluminium heat sink
- Die-cast aluminium electrical connection box polyester powder painted after chemical conversion treatment of the surface
- IP66 quick connector allows electrical connection with the power supply unit without opening the luminaire, made in PA66 polyamide; 7 pins for Ø 13 - Ø 18 mm cables (LASER+ 30), or 5 pins for Ø 7 - Ø 14 mm cables (LASER+ 20)
- Light beam obtained by the combination of multiple LED modules
- Stainless steel external screws
- Galvanised polyester powder painted steel bracket
- The LASER+ power consumption includes the losses of the power unit
- Graduated goniometer for aiming purposes
- To connect the LASER+ use the control gears supplied as accessories only
- IP66 DALI and DMX512-RDM dimming power control gears available. The electrical connection between control gear and floodlight must take place with a maximum cable length of 100 metres
- Correctly match the floodlight with the control gear. Pay attention to the models and the number of connection channels: two channels (2CH) and three channels (3CH)
- Integral surge protection device (SPD) against mains overvoltages up to 10 kV
- The LASER+ 10 version integrates the control gearbox, placed in a painted, sheet metal compartment. The electrical connection takes place in a specific polyamide box trough an M25x1.5 anti-tearing cable gland for Ø 9 - Ø 16 mm cables
- The LASER+ 10 versions are complete with supplementary device for protection against mains surges of up to 10 kV (CM and DM)
- LASER+ 10 is standard equipped with DALI driver. Versions with DMX512-RDM dimming available. Consult factory
- For other colour temperatures and different colour rendering index consult factory
- For UP LIGHT installation, consult factory
- Photometric data measure according to UNI EN 13032-4 and IES LM-79-08



LASER+ 10



LASER+ 20



LASER+ 30

LASER+ 10 A/M

IK08 6J xx5

WATTAGE	CLASS	CEC	CRI	KELVIN	COS Ø ≥ 0.9	OPTIC	OPTIC BEAM	LIGHTSOURCE LUMEN OUTPUT	LUMINAIRE LUMEN OUTPUT	L	B	LIFETIME	COLOUR/ RAL	PART NUMBER
Power LED - dimmable DALI 220-240 V 50/60 Hz														
542 W	I	-	70	5700	✓	A50/M	50°	86700 lm	-	80	10	50000 h	●	3107711
542 W	I	-	80	5700	✓	A50/M	50°	79100 lm	-	80	10	72000 h	●	3107712
542 W	I	-	90	5700	✓	A50/M	50°	61600 lm	-	80	10	72000 h	●	3107713
542 W	I	-	70	5700	✓	A60/M	60°	86700 lm	-	80	10	50000 h	●	3107715
542 W	I	-	80	5700	✓	A60/M	60°	79100 lm	-	80	10	72000 h	●	3107716
542 W	I	-	90	5700	✓	A60/M	60°	61600 lm	-	80	10	72000 h	●	3107717
542 W	I	-	70	4000	✓	A50/M	50°	90500 lm	-	80	10	50000 h	●	3107714
542 W	I	-	70	4000	✓	A60/M	60°	90500 lm	-	80	10	50000 h	●	3107718



LASER+ 10 C/I

IK08 6J xx5

WATTAGE	CLASS	CEC	CRI	KELVIN	COS Ø ≥ 0.9	OPTIC	OPTIC BEAM	LIGHTSOURCE LUMEN OUTPUT	LUMINAIRE LUMEN OUTPUT	L	B	LIFETIME	COLOUR/ RAL	PART NUMBER
Power LED - dimmable DALI 220-240 V 50/60 Hz														
542 W	I	-	70	5700	✓	C/I	10°	86700 lm	-	80	10	50000 h	●	3107687
542 W	I	-	80	5700	✓	C/I	10°	79100 lm	-	80	10	72000 h	●	3107688
542 W	I	-	90	5700	✓	C/I	10°	61600 lm	-	80	10	72000 h	●	3107689
542 W	I	-	70	5700	✓	C/I	13°	86700 lm	-	80	10	50000 h	●	3107691
542 W	I	-	80	5700	✓	C/I	13°	79100 lm	-	80	10	72000 h	●	3107692
542 W	I	-	90	5700	✓	C/I	13°	61600 lm	-	80	10	72000 h	●	3107693
542 W	I	-	70	5700	✓	C/I	16°	86700 lm	-	80	10	50000 h	●	3107695
542 W	I	-	80	5700	✓	C/I	16°	79100 lm	-	80	10	72000 h	●	3107696
542 W	I	-	90	5700	✓	C/I	16°	61600 lm	-	80	10	72000 h	●	3107697
542 W	I	-	70	4000	✓	C/I	10°	90500 lm	-	80	10	50000 h	●	3107690
542 W	I	-	70	4000	✓	C/I	13°	90500 lm	-	80	10	50000 h	●	3107694
542 W	I	-	70	4000	✓	C/I	16°	90500 lm	-	80	10	50000 h	●	3107698

LASER+ 10 ELL

IK08 6J xx5

WATTAGE	CLASS	CEC	CRI	KELVIN	COS Ø ≥ 0.9	OPTIC	OPTIC BEAM	LIGHTSOURCE LUMEN OUTPUT	LUMINAIRE LUMEN OUTPUT	L	B	LIFETIME	COLOUR/ RAL	PART NUMBER
Power LED - dimmable DALI 220-240 V 50/60 Hz														
542 W	I	-	70	5700	✓	ELL	10°x25°	86700 lm	-	80	10	50000 h	●	3107699
542 W	I	-	80	5700	✓	ELL	10°x25°	79100 lm	-	80	10	72000 h	●	3107700
542 W	I	-	90	5700	✓	ELL	10°x25°	61600 lm	-	80	10	72000 h	●	3107701
542 W	I	-	70	5700	✓	ELL	15°x34°	86700 lm	-	80	10	50000 h	●	3107703
542 W	I	-	80	5700	✓	ELL	15°x34°	79100 lm	-	80	10	72000 h	●	3107704
542 W	I	-	90	5700	✓	ELL	15°x34°	61600 lm	-	80	10	72000 h	●	3107705
542 W	I	-	70	5700	✓	ELL	30°x45°	86700 lm	-	80	10	50000 h	●	3107707
542 W	I	-	80	5700	✓	ELL	30°x45°	79100 lm	-	80	10	72000 h	●	3107708
542 W	I	-	90	5700	✓	ELL	30°x45°	61600 lm	-	80	10	72000 h	●	3107709
542 W	I	-	70	4000	✓	ELL	10°x25°	90500 lm	-	80	10	50000 h	●	3107702
542 W	I	-	70	4000	✓	ELL	15°x34°	90500 lm	-	80	10	50000 h	●	3107706
542 W	I	-	70	4000	✓	ELL	30°x45°	90500 lm	-	80	10	50000 h	●	3107710

LASER+ 20 A/M

IK08 6J xx5

WATTAGE	CLASS	CEC	CRI	KELVIN	COS Ø ≥0.9	OPTIC	OPTIC BEAM	LIGHTSOURCE LUMEN OUTPUT	LUMINAIRE LUMEN OUTPUT	L	B	LIFETIME	COLOUR/ RAL	PART NUMBER
Power LED - 2CH														
1060 W	I	-	70	5700	✓	A50/M	50°	169600 lm	-	80	10	50000 h	●	3107679
1060 W	I	-	80	5700	✓	A50/M	50°	154700 lm	-	80	10	72000 h	●	3107680
1060 W	I	-	90	5700	✓	A50/M	50°	120500 lm	-	80	10	72000 h	●	3107681
1060 W	I	-	70	5700	✓	A60/M	60°	169600 lm	-	80	10	50000 h	●	3107683
1060 W	I	-	80	5700	✓	A60/M	60°	154700 lm	-	80	10	72000 h	●	3107684
1060 W	I	-	90	5700	✓	A60/M	60°	120500 lm	-	80	10	72000 h	●	3107685
1053 W	I	-	70	4000	✓	A50/M	50°	177000 lm	-	80	10	50000 h	●	3107682
1053 W	I	-	70	4000	✓	A60/M	60°	177000 lm	-	80	10	50000 h	●	3107686



LASER+ 20 C/I

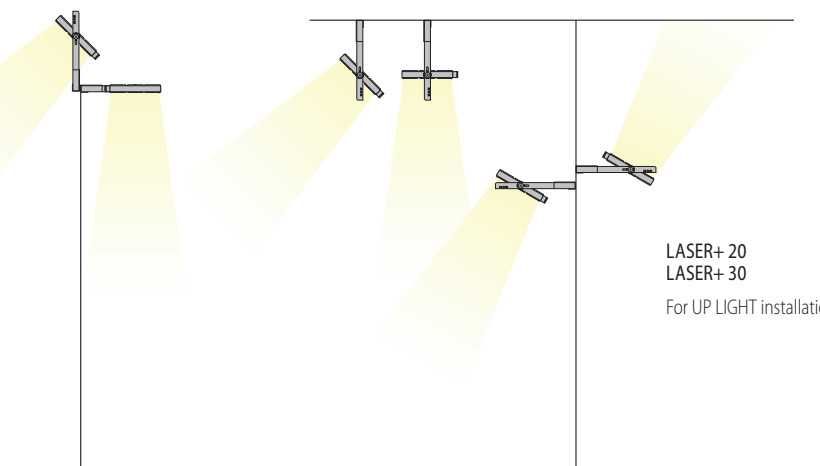
IK08 6J xx5

WATTAGE	CLASS	CEC	CRI	KELVIN	COS Ø ≥0.9	OPTIC	OPTIC BEAM	LIGHTSOURCE LUMEN OUTPUT	LUMINAIRE LUMEN OUTPUT	L	B	LIFETIME	COLOUR/ RAL	PART NUMBER
Power LED - 2CH														
1060 W	I	-	70	5700	✓	C/I	10°	169600 lm	-	80	10	50000 h	●	3107655
1060 W	I	-	80	5700	✓	C/I	10°	154700 lm	-	80	10	72000 h	●	3107656
1060 W	I	-	90	5700	✓	C/I	10°	120500 lm	-	80	10	72000 h	●	3107657
1060 W	I	-	70	5700	✓	C/I	13°	169600 lm	-	80	10	50000 h	●	3107659
1060 W	I	-	80	5700	✓	C/I	13°	154700 lm	-	80	10	72000 h	●	3107660
1060 W	I	-	90	5700	✓	C/I	13°	120500 lm	-	80	10	72000 h	●	3107661
1060 W	I	-	70	5700	✓	C/I	16°	169600 lm	-	80	10	50000 h	●	3107663
1060 W	I	-	80	5700	✓	C/I	16°	154700 lm	-	80	10	72000 h	●	3107664
1060 W	I	-	90	5700	✓	C/I	16°	120500 lm	-	80	10	72000 h	●	3107665
1053 W	I	-	70	4000	✓	C/I	10°	177000 lm	-	80	10	50000 h	●	3107658
1053 W	I	-	70	4000	✓	C/I	13°	177000 lm	-	80	10	50000 h	●	3107662
1053 W	I	-	70	4000	✓	C/I	16°	177000 lm	-	80	10	50000 h	●	3107666

LASER+ 20 ELL

IK08 6J xx5

WATTAGE	CLASS	CEC	CRI	KELVIN	COS Ø ≥0.9	OPTIC	OPTIC BEAM	LIGHTSOURCE LUMEN OUTPUT	LUMINAIRE LUMEN OUTPUT	L	B	LIFETIME	COLOUR/ RAL	PART NUMBER
Power LED - 2CH														
1060 W	I	-	70	5700	✓	ELL	10°x25°	169600 lm	-	80	10	50000 h	●	3107667
1060 W	I	-	80	5700	✓	ELL	10°x25°	154700 lm	-	80	10	72000 h	●	3107668
1060 W	I	-	90	5700	✓	ELL	10°x25°	120500 lm	-	80	10	72000 h	●	3107669
1060 W	I	-	70	5700	✓	ELL	15°x34°	169600 lm	-	80	10	50000 h	●	3107671
1060 W	I	-	80	5700	✓	ELL	15°x34°	154700 lm	-	80	10	72000 h	●	3107672
1060 W	I	-	90	5700	✓	ELL	15°x34°	120500 lm	-	80	10	72000 h	●	3107673
1060 W	I	-	70	5700	✓	ELL	30°x45°	169600 lm	-	80	10	50000 h	●	3107675
1060 W	I	-	80	5700	✓	ELL	30°x45°	154700 lm	-	80	10	72000 h	●	3107676
1060 W	I	-	90	5700	✓	ELL	30°x45°	120500 lm	-	80	10	72000 h	●	3107677
1053 W	I	-	70	4000	✓	ELL	10°x25°	177000 lm	-	80	10	50000 h	●	3107670
1053 W	I	-	70	4000	✓	ELL	15°x34°	177000 lm	-	80	10	50000 h	●	3107674
1053 W	I	-	70	4000	✓	ELL	30°x45°	177000 lm	-	80	10	50000 h	●	3107678



LASER+ 30 A/M

IK08 6J xx5

WATTAGE	CLASS	CEC	CRI	KELVIN	COS Ø ≥ 0.9	OPTIC	OPTIC BEAM	LIGHTSOURCE LUMEN OUTPUT	LUMINAIRE LUMEN OUTPUT	L	B	LIFETIME	COLOUR/ RAL	PART NUMBER
Power LED - 3CH														
1592 W	I	-	70	5700	✓	A50/M	50°	254700 lm	-	80	10	50000 h	●	3107647
1592 W	I	-	80	5700	✓	A50/M	50°	232400 lm	-	80	10	72000 h	●	3107648
1592 W	I	-	90	5700	✓	A50/M	50°	181000 lm	-	80	10	72000 h	●	3107649
1592 W	I	-	70	5700	✓	A60/M	60°	254700 lm	-	80	10	50000 h	●	3107651
1592 W	I	-	80	5700	✓	A60/M	60°	232400 lm	-	80	10	72000 h	●	3107652
1592 W	I	-	90	5700	✓	A60/M	60°	181000 lm	-	80	10	72000 h	●	3107653
1580 W	I	-	70	4000	✓	A50/M	50°	265800 lm	-	80	10	50000 h	●	3107650
1580 W	I	-	70	4000	✓	A60/M	60°	265800 lm	-	80	10	50000 h	●	3107654



LASER+ 30 C/I

IK08 6J xx5

WATTAGE	CLASS	CEC	CRI	KELVIN	COS Ø ≥ 0.9	OPTIC	OPTIC BEAM	LIGHTSOURCE LUMEN OUTPUT	LUMINAIRE LUMEN OUTPUT	L	B	LIFETIME	COLOUR/ RAL	PART NUMBER
Power LED - 3CH														
1592 W	I	-	70	5700	✓	C/I	10°	254700 lm	-	80	10	50000 h	●	3107623
1592 W	I	-	80	5700	✓	C/I	10°	232400 lm	-	80	10	72000 h	●	3107624
1592 W	I	-	90	5700	✓	C/I	10°	181000 lm	-	80	10	72000 h	●	3107625
1592 W	I	-	70	5700	✓	C/I	13°	254700 lm	-	80	10	50000 h	●	3107627
1592 W	I	-	80	5700	✓	C/I	13°	232400 lm	-	80	10	72000 h	●	3107628
1592 W	I	-	90	5700	✓	C/I	13°	181000 lm	-	80	10	72000 h	●	3107629
1592 W	I	-	70	5700	✓	C/I	16°	254700 lm	-	80	10	50000 h	●	3107631
1592 W	I	-	80	5700	✓	C/I	16°	232400 lm	-	80	10	72000 h	●	3107632
1592 W	I	-	90	5700	✓	C/I	16°	181000 lm	-	80	10	72000 h	●	3107633
1580 W	I	-	70	4000	✓	C/I	10°	265800 lm	-	80	10	50000 h	●	3107626
1580 W	I	-	70	4000	✓	C/I	13°	265800 lm	-	80	10	50000 h	●	3107630
1580 W	I	-	70	4000	✓	C/I	16°	265800 lm	-	80	10	50000 h	●	3107634

LASER+ 30 ELL

IK08 6J xx5

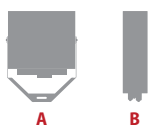
WATTAGE	CLASS	CEC	CRI	KELVIN	COS Ø ≥ 0.9	OPTIC	OPTIC BEAM	LIGHTSOURCE LUMEN OUTPUT	LUMINAIRE LUMEN OUTPUT	L	B	LIFETIME	COLOUR/ RAL	PART NUMBER
Power LED - 3CH														
1592 W	I	-	70	5700	✓	ELL	10°x25°	254700 lm	-	80	10	50000 h	●	3107635
1592 W	I	-	80	5700	✓	ELL	10°x25°	232400 lm	-	80	10	72000 h	●	3107636
1592 W	I	-	90	5700	✓	ELL	10°x25°	181000 lm	-	80	10	72000 h	●	3107637
1592 W	I	-	70	5700	✓	ELL	15°x34°	254700 lm	-	80	10	50000 h	●	3107639
1592 W	I	-	80	5700	✓	ELL	15°x34°	232400 lm	-	80	10	72000 h	●	3107640
1592 W	I	-	90	5700	✓	ELL	15°x34°	181000 lm	-	80	10	72000 h	●	3107641
1592 W	I	-	70	5700	✓	ELL	30°x45°	254700 lm	-	80	10	50000 h	●	3107643
1592 W	I	-	80	5700	✓	ELL	30°x45°	232400 lm	-	80	10	72000 h	●	3107644
1592 W	I	-	90	5700	✓	ELL	30°x45°	181000 lm	-	80	10	72000 h	●	3107645
1580 W	I	-	70	4000	✓	ELL	10°x25°	265800 lm	-	80	10	50000 h	●	3107638
1580 W	I	-	70	4000	✓	ELL	15°x34°	265800 lm	-	80	10	50000 h	●	3107642
1580 W	I	-	70	4000	✓	ELL	30°x45°	265800 lm	-	80	10	50000 h	●	3107646

CONTROL GEAR

DESCRIPTION	COLOR	PART NUMBER
LASER+ 20 - DALI - 2CH		
Driver box 1000 - 1,4 A - 2 CH - DALI		3109423
LASER+ 20 - DMX - 2CH		
Driver box 1000 - 1,4 A - 2 CH - DMX		3109424
LASER+ 30 - DALI - 3CH		
Driver box 1500 - 1,4 A - 3 CH - DALI		3109421
LASER+ 30 - DMX - 3CH		
Driver box 1500 - 1,4 A - 3 CH - DMX		3109422



3109421
3109422
3109423
3109424



Complete unit

1A+1B = please order 2 codes

COMPONENTS	
A	luminaire
B	drivers box

